



# Peugeot Boxer/Citroen Jumper/Fiat Ducato/ Opel Movano/Toyota Proace Max 24-

Mounting instructions  
 Art. 82614270, 82614271  
 Eurobar

Scan the QR code  
 for translated  
 instructions or visit  
[metec.ee/instructions](http://metec.ee/instructions)



Weight: 8,5 kg  
 Time of mounting w/o wiring: 60 min

**Required tools:**



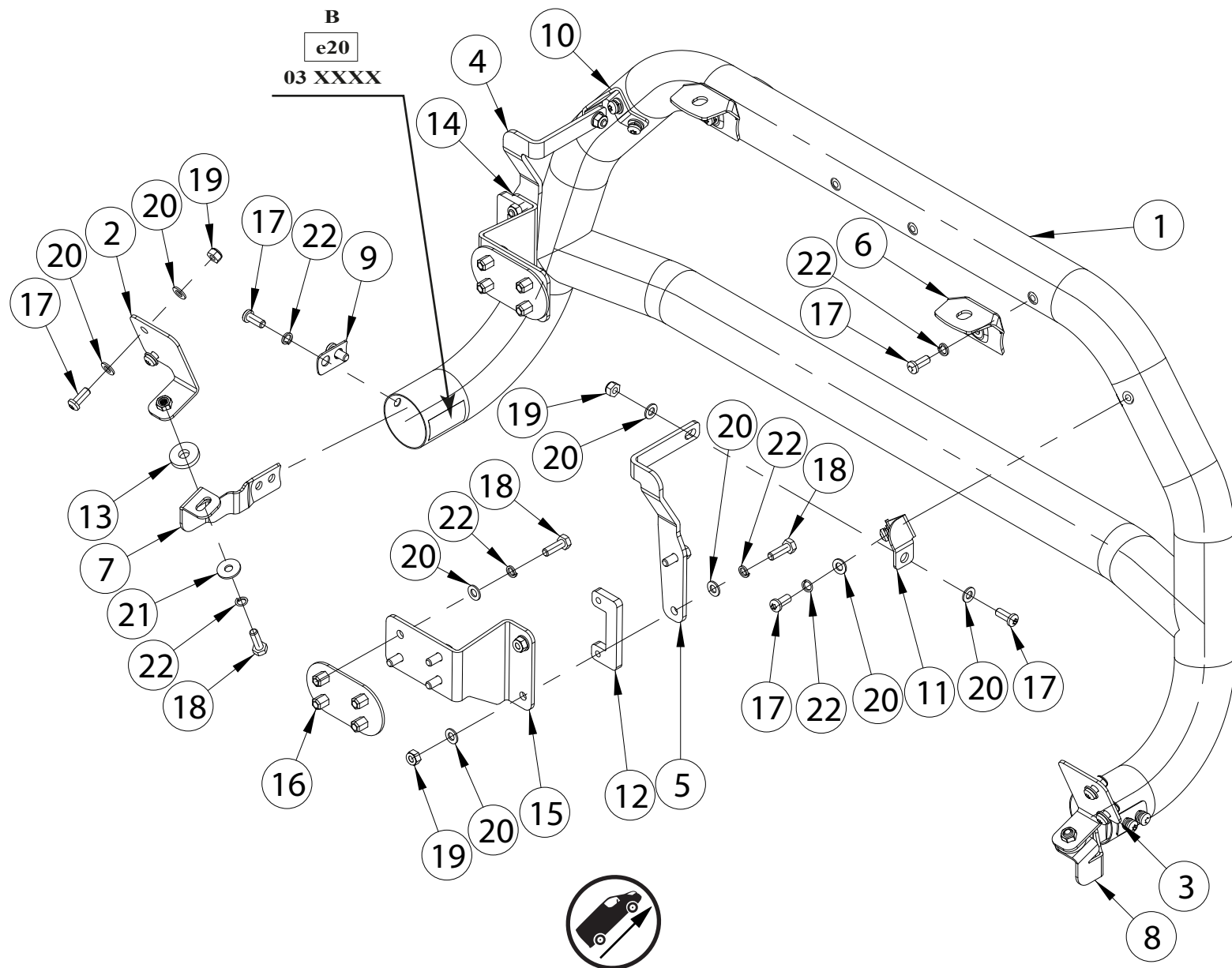
<b>A2 / A4</b>
<b>M8 - 17 Nm</b>

# Peugeot Boxer/Citroen Jumper/Fiat Ducato/Opel Movano/Toyota Proace Max 24-

Art. 82614270, 82614271

Eurobar

B  
e20  
03 XXXX



Pos	Description	QTY	Pos	Description	QTY
1.	Eurobar	1	13.	Thick washer	2
2.	Bracket	1	14.	Bracket	1
3.	Bracket	1	15.	Bracket	1
4.	Bracket	1	16.	Plate	2
5.	Bracket	1	17.	Bolt M8x20 DIN7380-A2	16
6.	Lamp fixing bracket	2	18.	Bolt M8x25 DIN933-A2	14
7.	Bracket	1	19.	Nut M8 DIN985-A2	10
8.	Bracket	1	20.	Flat Washer 8,4x16x1,6	32
9.	Square washer	2	21.	Flat Washer 8,4x24x2	2
10.	Bracket	1	22.	Spring washer A8	24
11.	Bracket	1	23.	Parking sensor covers 888460	1
12.	Plate nut	2			

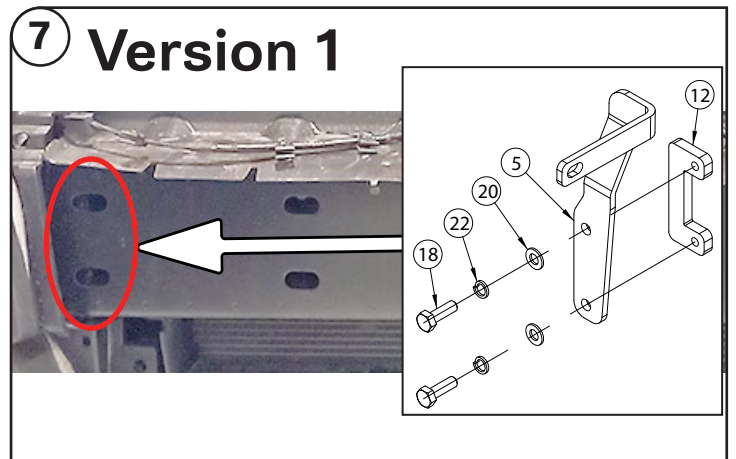
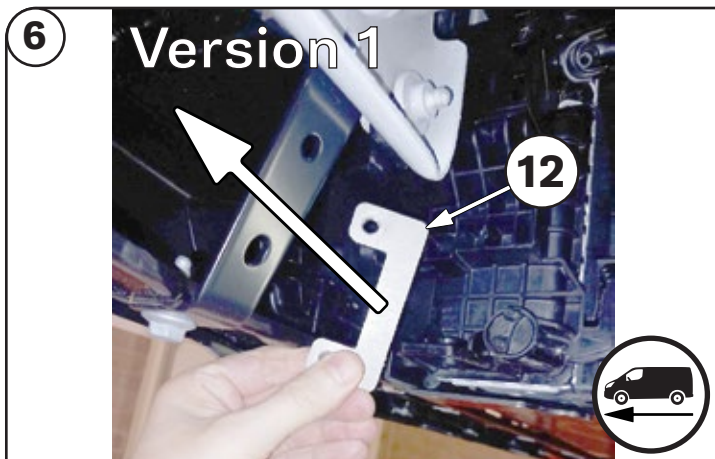
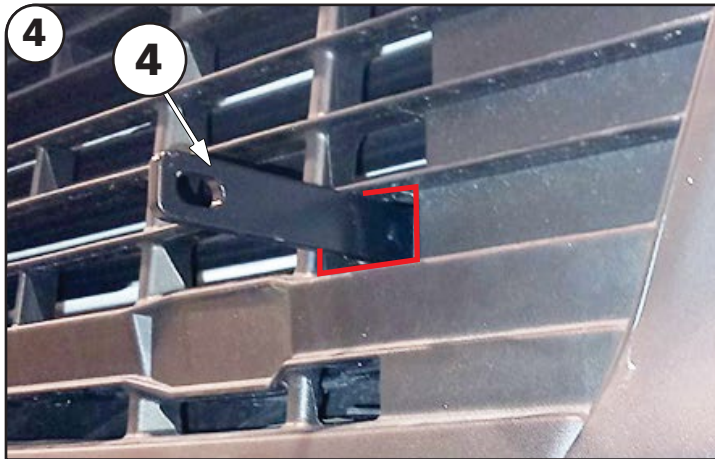
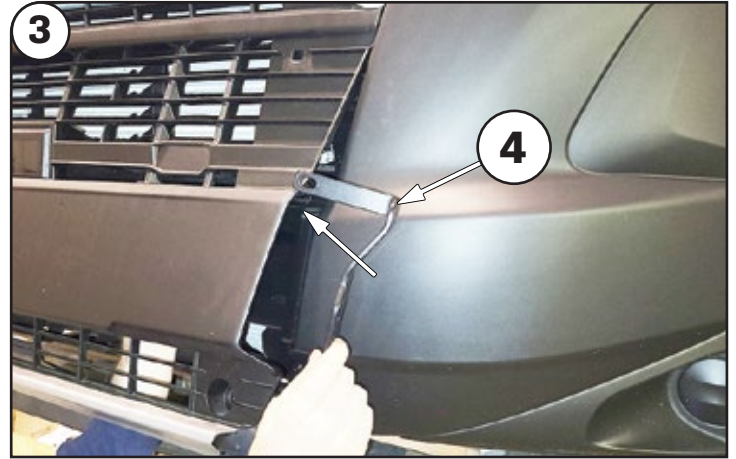
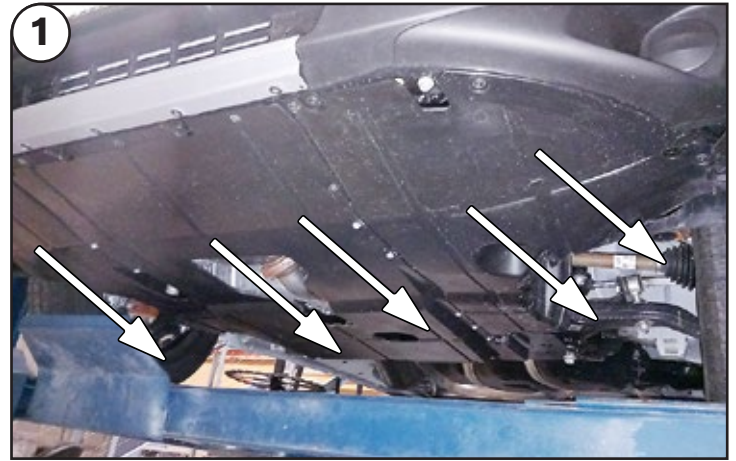
**NB!**

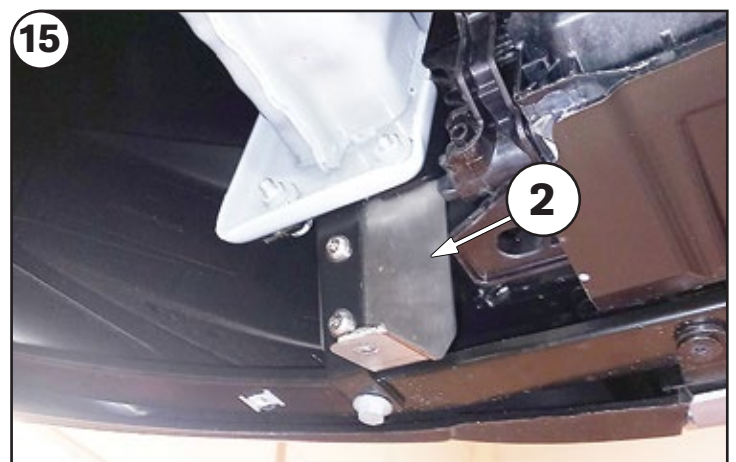
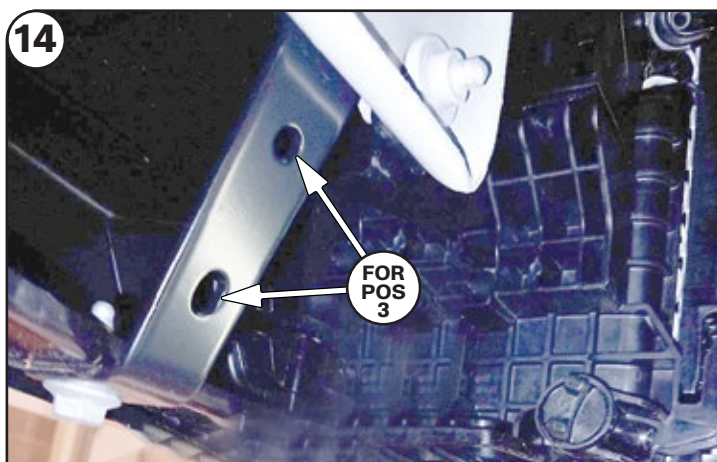
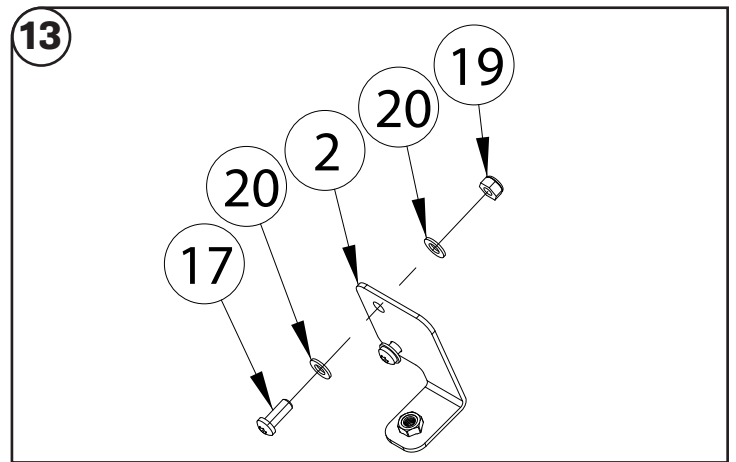
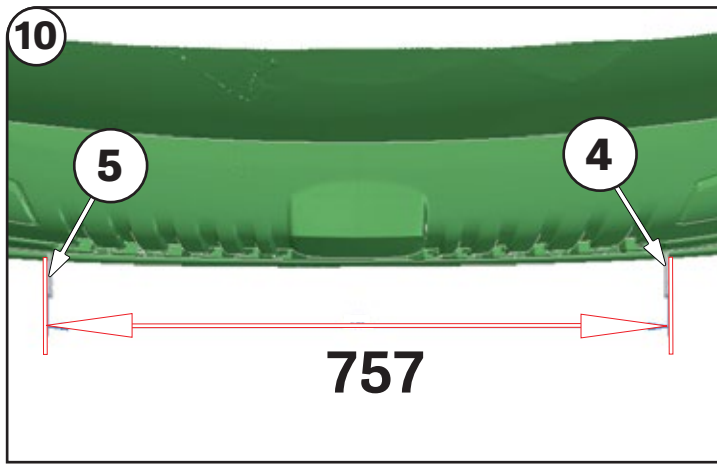
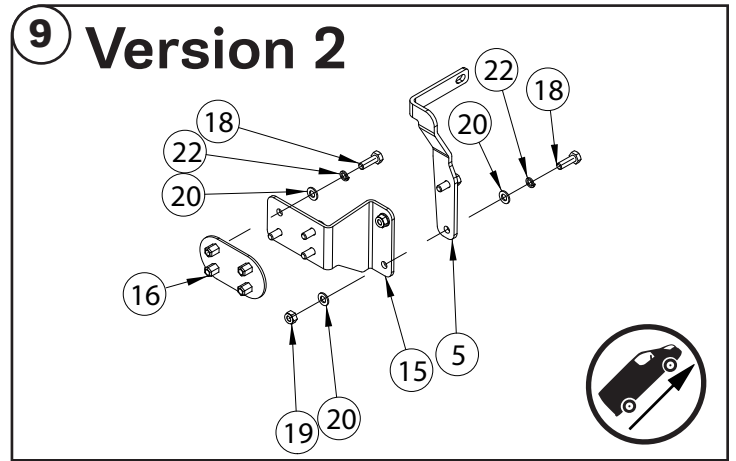
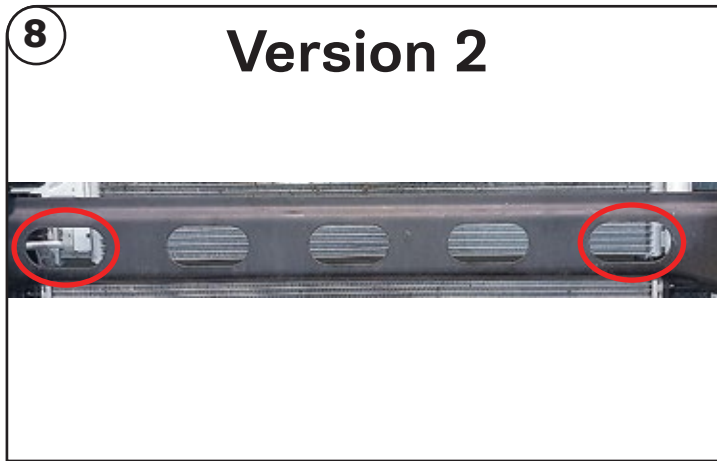


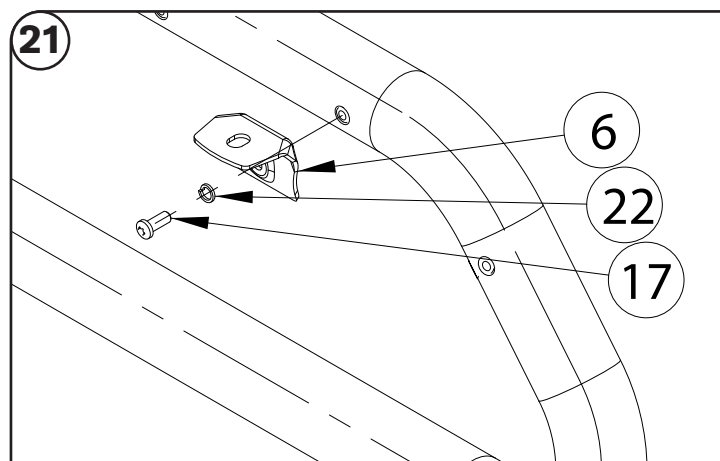
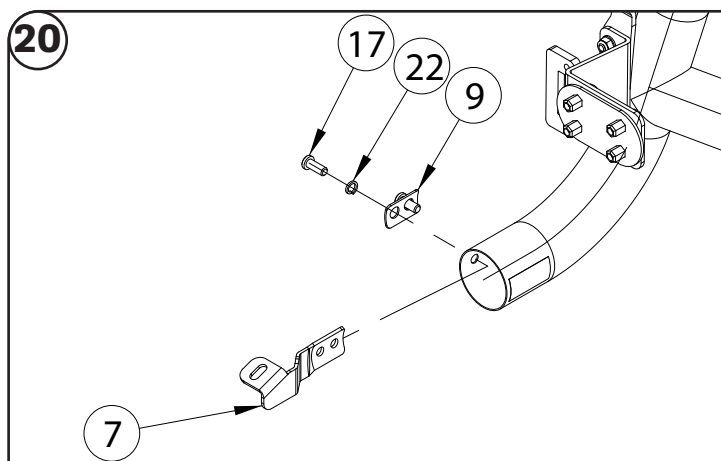
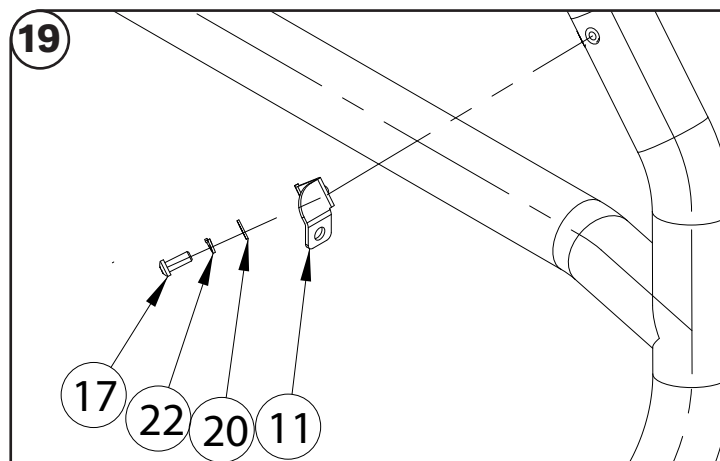
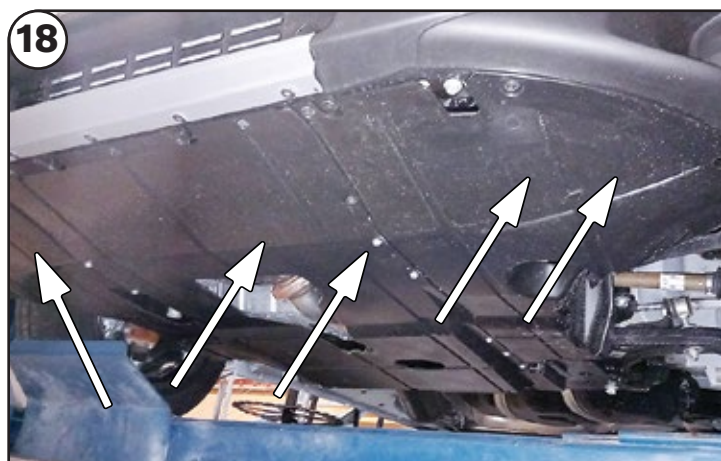
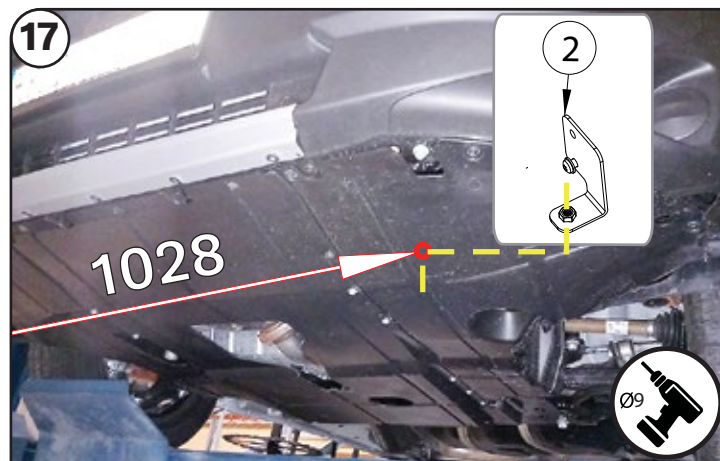
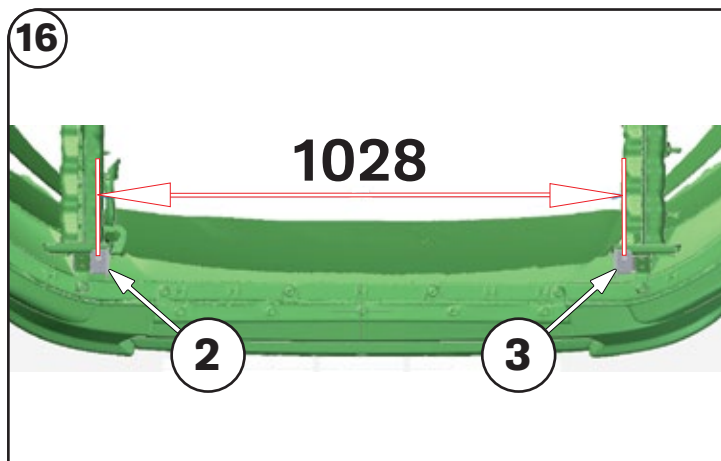
To prevent cold welding, use cold weld grease or engine oil



Installation of the lights must be carried out by a qualified electrician only







Check and retighten the fasteners after each 10 000km



Clean and wash the product twice a month to prevent corrosion

In case of any defects or damage to the METEC product upon delivery, contact the reseller or point of sale where you made your purchase for resolution